

service +

OUR SERVICE-PLUS FOR YOU:

Our experienced service technicians install and maintain your equipment all over the world and ensure trouble-free operation.

YOUR ADVANTAGES

-  Time savings
-  Energy savings
-  Changeable nozzles
-  Combination of nozzles
-  Perfect uniformity



dryLINE // Hot air drying
Our drying systems give you maximum productivity and quality.

DRY!

AHLBRANDT SYSTEM GmbH
Altebergstraße 23-25 // 36341 Lauterbach (Germany)
T +49 (0) 6641 970-0 // F +49 (0) 6641 970-50
info@ahlbrandt.de // www.ahlbrandt.de

A **BALDWIN** Technology Company



NEXT LEVEL IN DRY

HIGH PERFORMANCE - LOW COSTS

AHLBRANDT // FLEXIBLE, UNIFORM, EFFICIENT.

Our dryLINE products guarantee a precise drying process with maximum speed for a multitude of materials. High performance and reliability is evidenced by a large number of satisfied customers using our hot air drying systems.

Environmentally friendly AHLBRANDT products – save time, resources and cost.

APPLICATIONS

dryLINE

Our dryers are modularly designed. The dryer and heating unit are connected by air pipes. The heating unit can be set up easily and economically in separate rooms to reduce noise levels and the temperature in the production area.

// Plastic film and flexible packaging
Flexo-, gravure- and digital printing, coatings with primer or finishing agents

// Textiles and Nonwovens
Finishing and coatings on technical textiles, nonwovens and filter materials

// Glass
Coatings on solar panels, finishing and coatings on flat glass

// Paper and corrugated board
Printing, finishing and surface coating

TYPES OF CABINETS



Tower dryer



Tunnel dryer

TYPES OF NOZZLES



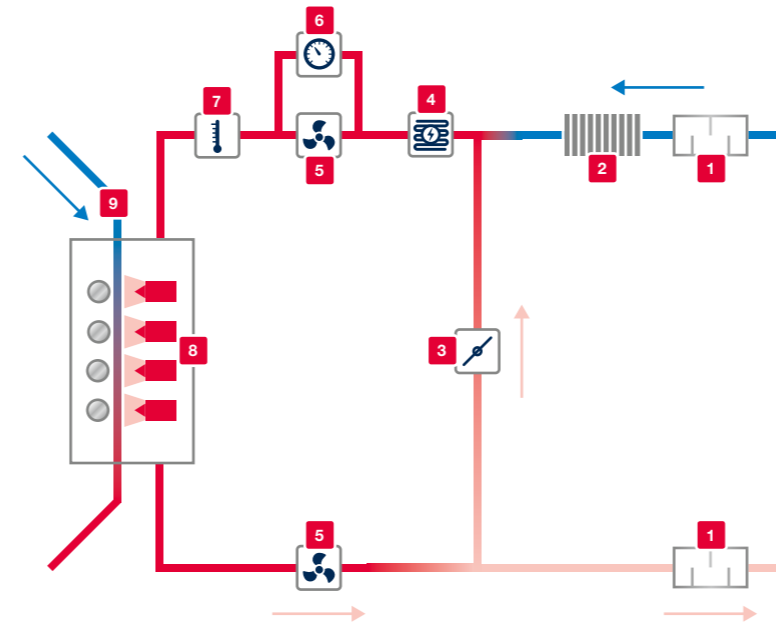
Slit nozzle



Slotted nozzle



IR booster



FUNCTION

- 1 Noise reduction
- 2 Filter
- 3 Throttle valve
- 4 Heater
- 5 Exhaust fan
- 6 Differential pressure control
- 7 Temperature sensor
- 8 Dryer unit
- 9 Substrate

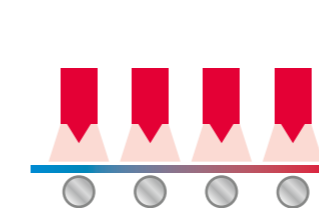
TECHNICAL DETAILS

	Working width* [mm]	Speed [m/min.]	Temp. [°C]	Materials		Material guidance		Heating method			
				Rigid	Flexible	Roller	Sinus	Gas	Oil	Electric	Steam
TOWER DRYER	2.000	400	150	-	•	•	-	•	•	•	•
TUNNEL DRYER	4.000	900	200	•	•	•	•	•	•	•	•

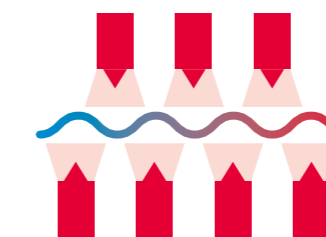
* Special widths available on request

OPTIONS

- // Bypass/fresh air
- // LEL monitoring/control
- // IR/hot air combinations
- // Driven guide rollers
- // Contact-free material guidance
- // RAL colours according to customer specifications



Drying on one side, transport by guide rollers



Drying on both sides, contact-free transport



treatLINE
Corona treatment
As the pioneer of Corona technology we set new standards with our innovative equipment.

sprayLINE
Coating & Moistening
Spray systems that meet the highest and most precise requirements.

dryLINE
Hot air drying
Our drying systems are designed for maximum speed and uniform results.